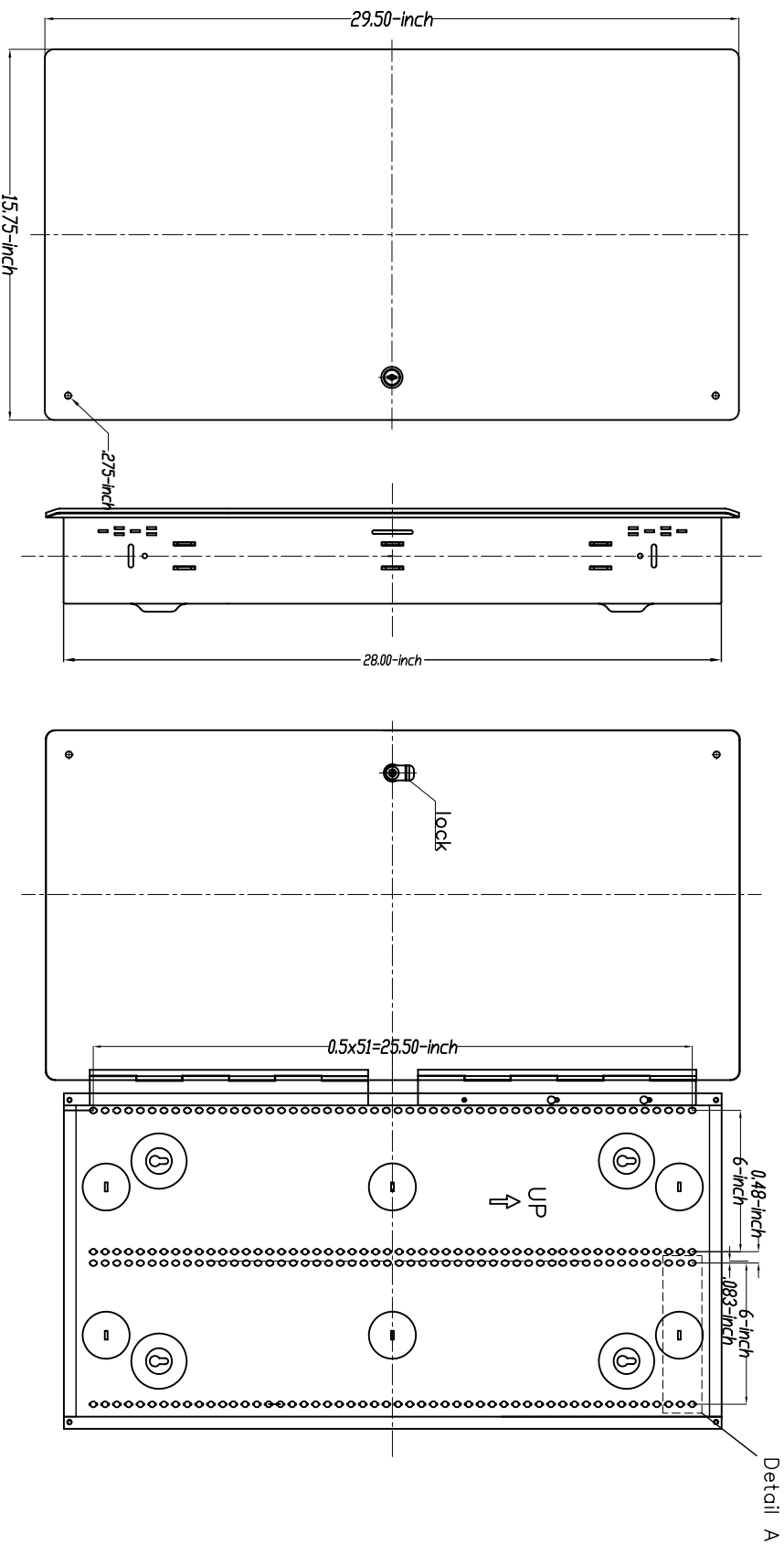


REV	DESCRIPTION	DATE
∅	ISSUE	05/30/06

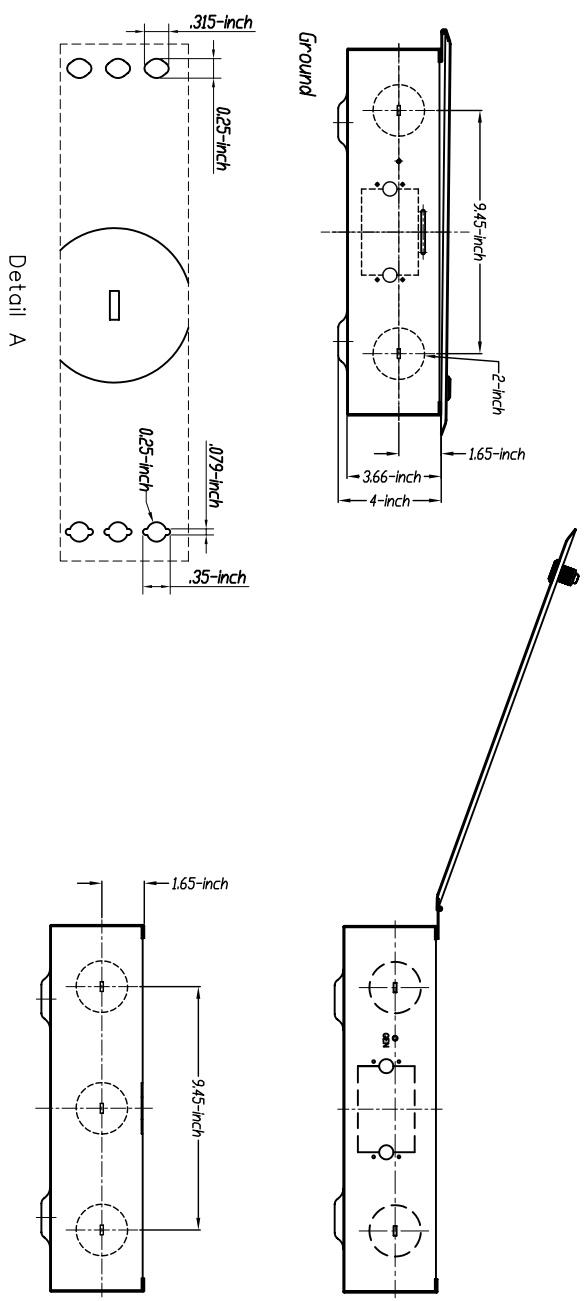


Liberty Wire and Cable

UNIT: IN	TITLE	DR.
NONE	Structured Solutions STR, BOX	DK
SCALE		CH.
		RP
UNLESS OTHERWISE SPECIFIED TOLERANCES:	P/N:	
x ± x, xx ± xx	HWS-2803	
xxx ± .xxx, ANGLE ±		
REV. A	DWG. NO.: LWC-AAA-00216	AP. RP
	SHEET 1/2	

c(UL)us Listed
 Communication Circuit Accessories
 File E135640

REV	DESCRIPTION	DATE
∅	ISSUE	05/30/06



Liberty Wire and Cable

UNLESS OTHERWISE SPECIFIED TOLERANCES:		TITLE	
x ± x	xx ± xx	Structured Solutions	DR. DK
xxx ± .xxx	ANGLE ±	STR, BOX	CH. RP
REV. A	SHEET 2/2	DWG. NO.: LWC-AAA-00216	AP. RP